

Doggy Dragger!

By Grace Birch and Chelsea Hunter.

Grade 6.

Brunswick South West Primary School.

South Daly Street Brunswick West.

3055

Shelley Laird.

9380 1074



Front view.



undereath.



Side nozzle.



Doggy Dragger pouring.



Doggy Dragger.



Dragging.

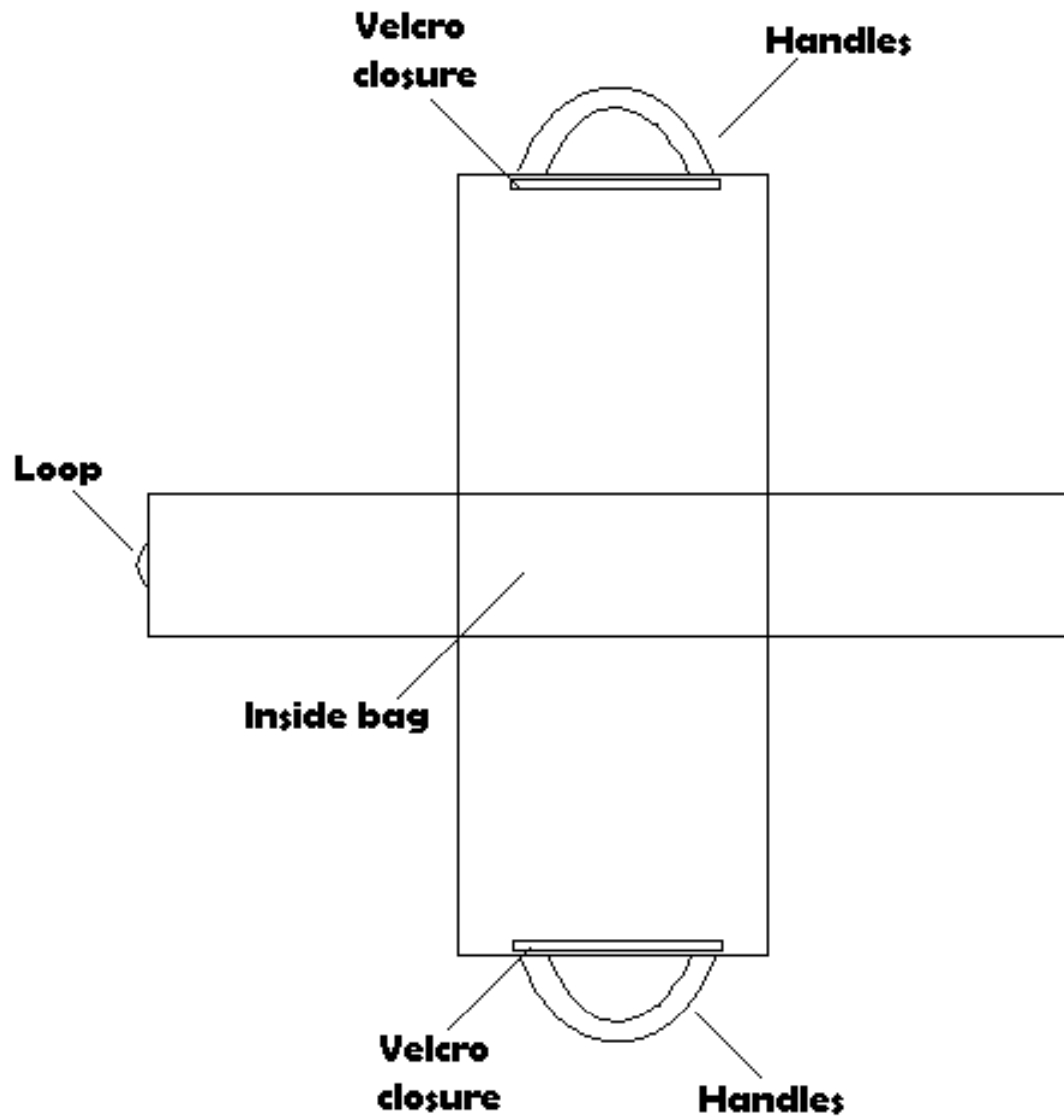


Birds eye view.



Front view.

Net!



Rationale!

When designing our Doggy Dragger we thought about things like, sometimes on a regular dog food bag when you open the top the food spills everywhere, so we put Velcro for the closure.

We also thought about the weight of the bag and how heavy it can get, that's when we decided to put wheels on the bottom, so that you can pull it along.

Rationale- materials!

The materials we used to make the Doggy Dragger are...

- Non woven polypropylene for the bag because its strong and is recyclable.
- Cardboard for the nozzle because it can be recycled.
- Velcro for the closure because it's easy to open.
- Metal and plastic wheels for dragging the Doggy Dragger.
- Wood for the base so the bottom doesn't sag.

If Doggy Dragger comes on the market the laminated labels will be printed on the bag.

Rationale- testing!

We tested our designs strength by going over lots of different types of ground like...

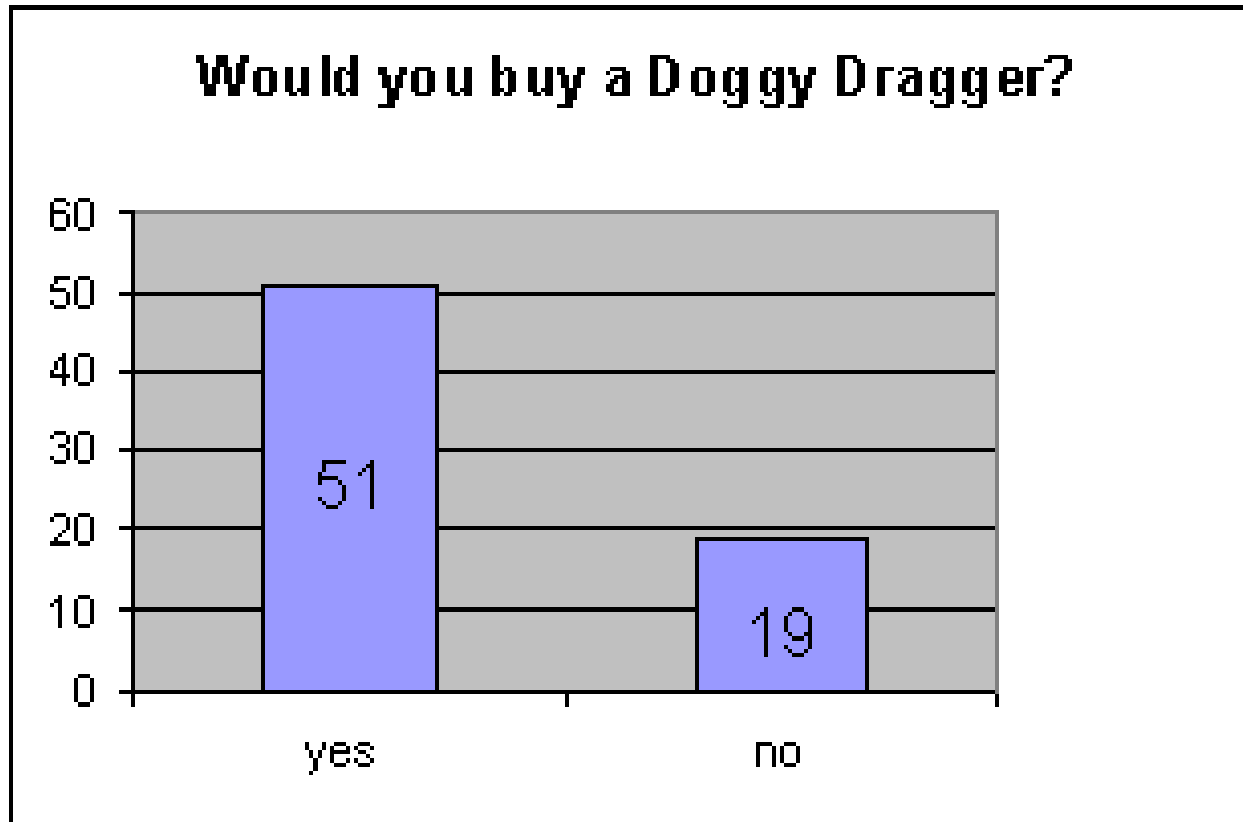
- Concrete.
- Wood.
- Gravel.
- Hessian.
- Grass.
- Carpet.
and rugs.

Concrete and wood were the best but they all worked very well.

We also tested how much weight it could hold, it could hold a maximum of 7kg.

Rationale- Marketing!

We surveyed 70 students between grades 3, 4, 5 and 6 about whether or not they would buy the Doggy Dragger, here are the results.



Rationale- reused or recycled!

The main reason why the Doggy Dragger is such a good design is, there is a lot less transport involved because once you finished all the dog food in the bag you can just go fill it up at the nearest pet shop.

Which would save on carbon emissions because less trips for the trucks, less packaging required.

Rationale- inspiration!

At first we couldn't think of any ideas for our PCA challenge so we started to think of things that have a lot of packaging and were hard to use.

That's when we thought of the Doggy Dragger.

With the Doggy Dragger if its too heavy you can always just drag it along, and it has handles to carry it.

Doggy Dragger!

The Doggy Dragger is a more convenient and efficient way of carrying dog food.

It is easy to use by all ages.

The Doggy Dragger has two handles for carrying purposes, a nozzle for pouring food and wheels at the bottom for when it gets too heavy.

If you choose to drag the Doggy Dragger you have to attach your dog leash to a loop on the bag.

Ups and downs about the Doggy Dragger!

The good things about the Doggy Dragger are...

- It's environmentally friendly because you don't have to keep buying new bags, you can just fill it up again at a pet shop.

And it's easier to carry or drag because of its wheels and handles.

The down side to the Doggy Dragger is...

- You can smell a strong smell of food from outside the bag.
- After a while it might go slightly stale, but its still edible for dogs.